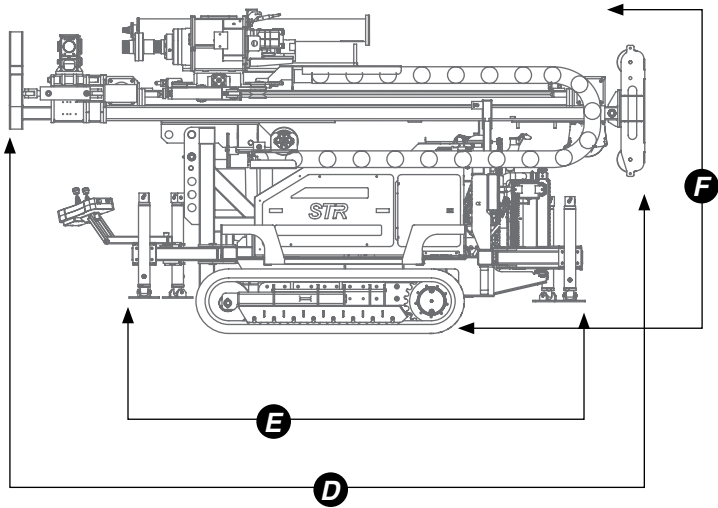
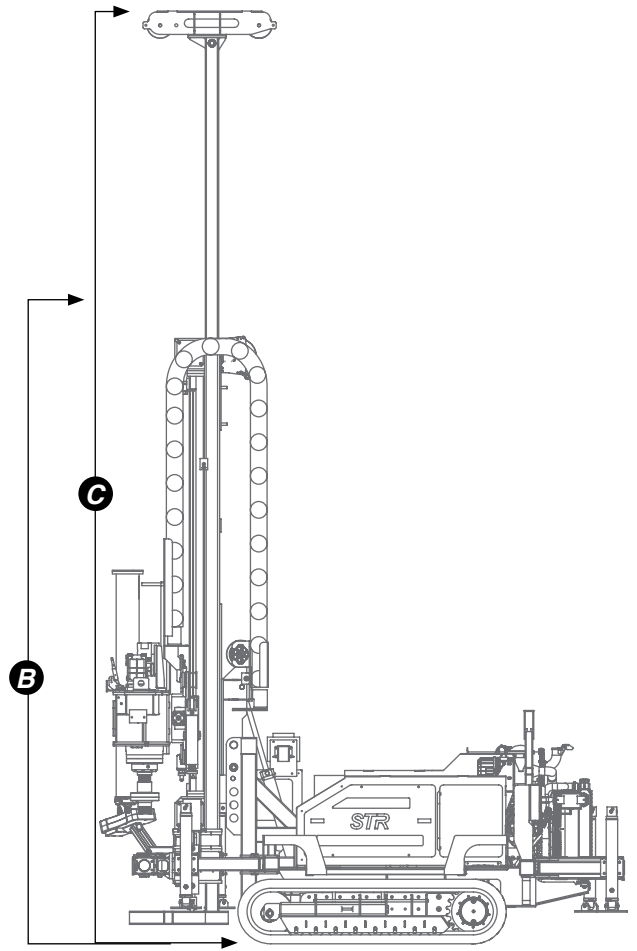
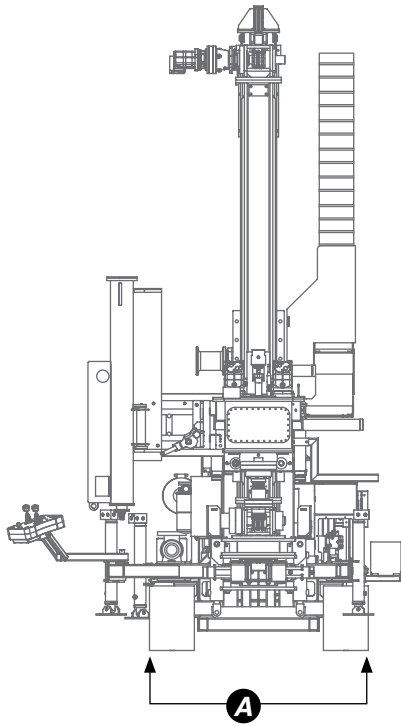


STR 174
SPT & Wireline Rotary Core Test Drill Rig



DIMENSIONS

Standard Mast (5 ft - 1.5 mts drill pipe)	Extended Mast (10 ft - 3 mts drill pipe)
A. Width 60" (5') - 152 cm	A. Width 60" (5') - 152 cm
B. Height - Tower retracted 165" (13.75') - 419 cm	B. Height - Tower retracted 210" (17.5') - 533 cm
C. Height - Tower extended 265" (22') - 673 cm]	C. Height - Tower extended 315" (26.25') - 800 cm
D. Length - Mast tilted 170" (14.16') - 432 cm	D. Length - Mast tilted 235" (19.58') - 597 cm
E. Length of body 120" (10') - 305 cm	E. Length of body 120" (10') - 305 cm
F. Height - Mast tilted 85" (7') - 215 cm	F. Height - Mast tilted 85" (7') - 215 cm
G. Weight (approximate) 5.6 tons - 11,200 lbs.	G. Weight (approximate) 5.6 tons - 11,200 lbs.